



900 Series TPED Ball Valves

Applications

High Flow TPED ball valves for trailer use.

Suitable for Hydrogen, CNG, Biogas, Helium, Nitrogen.



BV908-6S6TCDW-G000

Materials

Item	Part	Material
1	Body & Cap	316 Stainless Steel
2	Ball	316 Stainless Steel
3	Stem	XM19 Stainless Steel (BV904 only)
		316 Stainless Steel (BV908 only)
4	Seats	B16 PEEK

Item	Part	Material
5	Thrust washer	Delrin
6	Gland	Delrin
7	O-rings	Viton
8	Backup rings	Nitrile
9	Handle	304 Stainless Steel

Product Information

Type tested to ISO23826.

Complies with TPED 2010/35/EU

All products are manufactured to ISO 9001 standards.

NPT threads conform to ASME B1.20.1.

SAE threads conform to SAE J1926.

BSP threads conform to ISO 228.

Other connections available on request.

Features & Benefits

Available in 1/2" and 3/4" nominal sizing. Other sizes available on request.

Easy to service, kits readily available.

Quarter turn handle.

Suitable for 385 bar working pressure trailers.

Anti blow-out stem.

Manufactured from certified bar stock.

Lockout system available on request to prevent accidental operation of valve.

Actuated options available on request.



900 Series TPED Ball Valves

NPT Product Specification

Part Code	Size (DN) Inch (mm)	Mass lb (kg)	Lowest Operating Pressure bar (psi) *	Working Pressure (WP) bar (psi) **	Test Pressure (PT) bar (psi) ***	Min. Temp. °F (°C)	Max Temp. °F (°C)	Cycles Before Rekit [^]	Stem Open Torque ft-lb (Nm) ^{^^}	Cv	Service Kit
BV904-6N4TCDW-G000	1/2"	1.5 (0.7)	6.9 (100)	385 (5584)	462 (6700)	-40 (-40)	149 (65)	2000	14.7 (20)	13.1	BV900-SK1
BV908-6N6TCDW-G000	1"	4.9 (2.2)	6.9 (100)	385 (5584)	462 (6700)	-40 (-40)	149 (65)	2000	33.2 (45)	30.1	BV900-SK2

* Lowest settled gas pressure for which the ball valve is designed. This is the minimum pressure that the product will hold constant bubble tight seal.

** Settled pressure of a compressed gas at a uniform reference temperature of 15°C in a full pressure receptacle for which the valve is intended.

*** Minimum pressure applied to the valve during testing

[^] The temperature's and cycles stated depend on the system conditions and may not be achievable in all situations.

Contact Oasis for further information.

^{^^} Maximum opening torque at maximum operating pressure.

SAE Product Specification

Part Code	Size (DN) Inch (mm)	Mass lb (kg)	Lowest Operating Pressure bar (psi) *	Working Pressure (WP) bar (psi) **	Test Pressure (PT) bar (psi) ***	Min. Temp. °F (°C)	Max Temp. °F (°C)	Cycles Before Rekit [^]	Stem Open Torque ft-lb (Nm) ^{^^}	Cv	Service Kit
BV904-6S4TCDW-G000	1/2"	1.5 (0.7)	6.9 (100)	385 (5584)	462 (6700)	-40 (-40)	149 (65)	2000	14.7 (20)	13.1	BV900-SK1-S4
BV908-6S6TCDW-G000	1"	4.9 (2.2)	6.9 (100)	385 (5584)	462 (6700)	-40 (-40)	149 (65)	2000	33.2 (45)	30.1	BV900-SK2-S8

* Lowest settled gas pressure for which the ball valve is designed. This is the minimum pressure that the product will hold constant bubble tight seal.

** Settled pressure of a compressed gas at a uniform reference temperature of 15°C in a full pressure receptacle for which the valve is intended.

*** Minimum pressure applied to the valve during testing

[^] The temperature's and cycles stated depend on the system conditions and may not be achievable in all situations.

Contact Oasis for further information.

^{^^} Maximum opening torque at maximum operating pressure.

BSP Product Specification

Part Code	Size (DN) Inch (mm)	Mass lb (kg)	Lowest Operating Pressure bar (psi) *	Working Pressure (WP) bar (psi) **	Test Pressure (PT) bar (psi) ***	Min. Temp. °F (°C)	Max Temp. °F (°C)	Cycles Before Rekit [^]	Stem Open Torque ft-lb (Nm) ^{^^}	Cv	Service Kit
BV904-6B4TCDW-G000	1/2"	1.5 (0.7)	6.9 (100)	385 (5584)	462 (6700)	-40 (-40)	149 (65)	2000	14.7 (20)	13.1	BV900-SK1

* Lowest settled gas pressure for which the ball valve is designed. This is the minimum pressure that the product will hold constant bubble tight seal.

** Settled pressure of a compressed gas at a uniform reference temperature of 15°C in a full pressure receptacle for which the valve is intended.

*** Minimum pressure applied to the valve during testing

[^] The temperature's and cycles stated depend on the system conditions and may not be achievable in all situations.

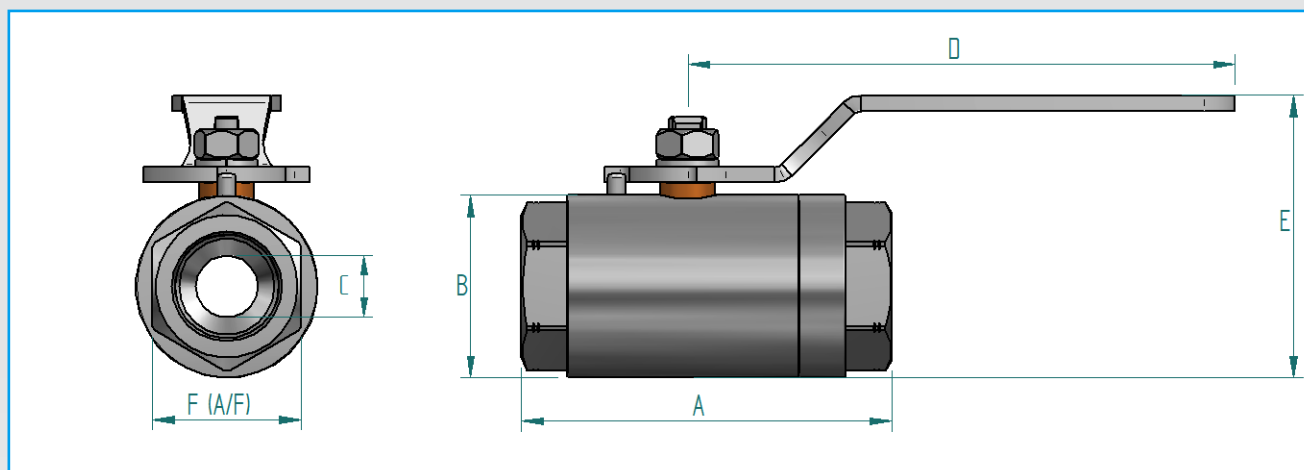
Contact Oasis for further information.

^{^^} Maximum opening torque at maximum operating pressure.



900 Series TPEB Ball Valves

Product Dimensions



NPT Product Dimensions - Inch(mm)

Part Code	Size (DN) Inch (mm)	A	B	Ø C	D	E	Port Thread	F (A/F)
BV904-6N4TCDW-G000	1/2"	3 (75.5)	1.6 (40)	.5 (13)	5.7 (144)	2.7 (69)	1/2" NPT FEMALE	1.3 (33.4)
BV908-6N6TCDW-G000	1"	4.7 (120)	2.2 (59)	.78 (20)	6.9 (177)	3.6 (91)	1" NPT FEMALE	1.9 (48)

Other sizes and fittings available on request, contact Oasis for further information.

SAE Product Dimensions - Inch(mm)

Part Code	Size (DN) Inch (mm)	A	B	Ø C	D	E	Port Thread	F (A/F)
BV904-6S4TCDW-G000	1/2"	3 (75.5)	1.6 (40)	.5 (13)	5.7 (144)	2.7 (69)	3/4-16 SAE FEMALE	1.3 (33.4)
BV908-6S6TCDW-G000	1"	4.7 (120)	2.2 (59)	.78 (20)	6.9 (177)	3.6 (91)	1 5/16-12 SAE FEMALE	1.9 (48)

Other sizes and fittings available on request, contact Oasis for further information.

BSP Product Dimensions - Inch(mm)

Part Code	Size (DN) Inch (mm)	A	B	Ø C	D	E	Port Thread	F (A/F)
BV904-6B4TCDW-G000	1/2"	3 (75.5)	1.6 (40)	.5 (13)	5.7 (144)	2.7 (69)	G1/2 FEMALE	1.3 (33.4)

Other sizes and fittings available on request, contact Oasis for further information.



900 Series Air Torque Actuated TPED Ball Valves

Applications

Remote ball valve actuation. High flow TPED ball valves for trailer use.

Suitable for Hydrogen, CNG, Biogas, Helium, Nitrogen.



BV904 with Air Torque AT101

Materials

Part Code	Description	Material
BV900 series	Ball Valves	As per product specification
AT	Air Torque	As per manufacturers specification
BVAC	Actuator Mount Bracket and Bolts	304 Stainless Steel
	Actuator Drive dog	303 Stainless Steel

Product Information

Suitable for 385 bar working pressure trailers.

Supplied with Air Torque actuators.

Type tested to ISO23826.

Complies with TPED 2010/35/EU

All products are manufactured to ISO 9001 standards.

NPT threads conform to ASME B1.20.1.

BSP threads conform to ISO 228.

SAE threads conform to SAE J1926.

Other connections available on request.

Separate part numbers for “Normally Open” and “Normally Closed” configurations.

Features & Benefits

Easy to service, kits readily available.

Anti blow-out stem.

Oasis provides actuated ball valves, factory fitted and tested for your convenience.

Available in 1/2” and 3/4” nominal sizing. Other sizes available on request.

Manufactured from certified bar stock.

Featuring a floating drive dog, that dampens vibration extending the life of the valve.

A carefully aligned, rigid bracket ensures minimal lateral torque.

Manual handled versions also available with or without handle lockout system.



900 Series Air Torque Actuated TPED Ball Valves

NPT Product Specification

Part Code	Size (DN) Inch (mm)	Mass lb (kg)	Lowest Operating Pressure bar (psi) *	Working Pressure (WP) bar (psi) **	Test Pressure (PT) bar (psi) ***	Min. Temp. °F (°C)	Max Temp. °F (°C)	Cv	Stem Open Torque ft-lb (Nm)**	Actuator Supply Pressure bar (psi) ^^^	Actuator Air Supply Port Size
BV904-6N4TCDW-0124 (N/C)	1/2"	5.1 (2.3)	6.9 (100)	385 (5584)	462 (6700)	-40 (-40)	149 (65)	13.1	14.7 (20)	6-8 (87-116)	1/8" BSPP
BV904-6N4TCDW-012M (N/O)	1/2"	5.1 (2.3)	6.9 (100)	385 (5584)	462 (6700)	-40 (-40)	149 (65)	13.1	14.7 (20)	6-8 (87-116)	1/8" BSPP
BV908-6N6TCDW-0148 (N/C)	1"	4.9 (2.2)	6.9 (100)	385 (5584)	462 (6700)	-40 (-40)	149 (65)	30.1	33.2 (45)	6-8 (87-116)	1/8" BSPP
BV908-6N6TCDW-012P (N/O)	1"	4.9 (2.2)	6.9 (100)	385 (5584)	462 (6700)	-40 (-40)	149 (65)	30.1	33.2 (45)	6-8 (87-116)	1/8" BSPP

SAE Product Specification

Part Code	Size (DN) Inch (mm)	Mass lb (kg)	Lowest Operating Pressure bar (psi) *	Working Pressure (WP) bar (psi) **	Test Pressure (PT) bar (psi) ***	Min. Temp. °F (°C)	Max Temp. °F (°C)	Cv	Stem Open Torque ft-lb (Nm)**	Actuator Supply Pressure bar (psi) ^^^	Actuator Air Supply Port Size
BV904-6S4TCDW-0124 (N/C)	1/2"	5.1 (2.3)	6.9 (100)	385 (5584)	462 (6700)	-40 (-40)	149 (65)	13.1	14.7 (20)	6-8 (87-116)	1/8" BSPP
BV904-6S4TCDW-012M (N/O)	1/2"	5.1 (2.3)	6.9 (100)	385 (5584)	462 (6700)	-40 (-40)	149 (65)	13.1	14.7 (20)	6-8 (87-116)	1/8" BSPP
BV908-6S6TCDW-0148 (N/C)	1"	4.9 (2.2)	6.9 (100)	385 (5584)	462 (6700)	-40 (-40)	149 (65)	30.1	33.2 (45)	6-8 (87-116)	1/8" BSPP
BV908-6S6TCDW-012P (N/O)	1"	4.9 (2.2)	6.9 (100)	385 (5584)	462 (6700)	-40 (-40)	149 (65)	30.1	33.2 (45)	6-8 (87-116)	1/8" BSPP

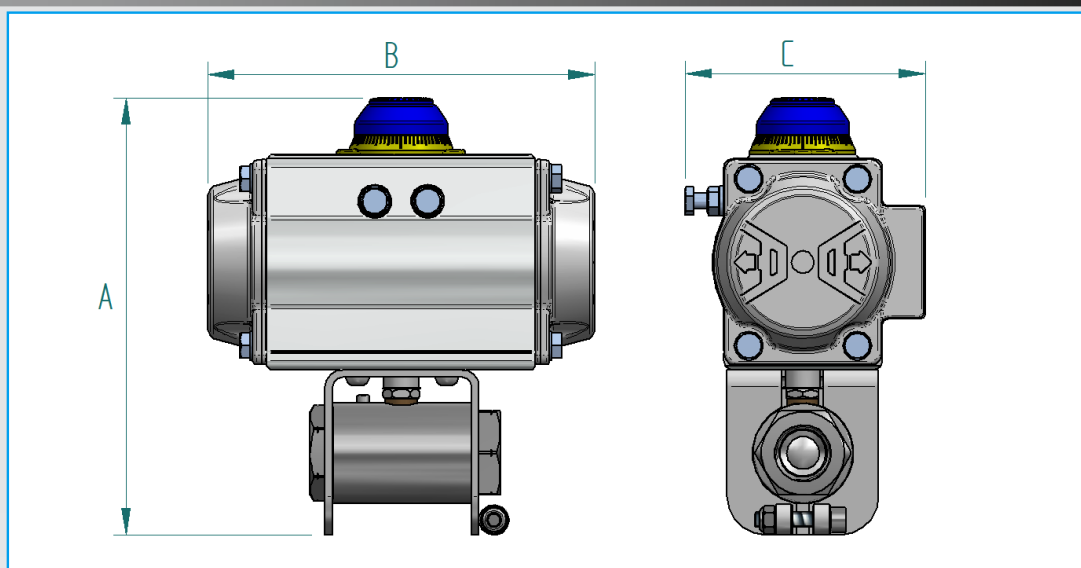
BSPP Product Specification

Part Code	Size (DN) Inch (mm)	Mass lb (kg)	Lowest Operating Pressure bar (psi) *	Working Pressure (WP) bar (psi) **	Test Pressure (PT) bar (psi) ***	Min. Temp. °F (°C)	Max Temp. °F (°C)	Cv	Stem Open Torque ft-lb (Nm)^	Actuator Supply Pressure bar (psi) ^^	Actuator Air Supply Port Size
BV904-6B4TCDW-0124 (N/C)	1/2"	5.1 (2.3)	6.9 (100)	385 (5584)	462 (6700)	-40 (-40)	149 (65)	13.1	14.7 (20)	6-8 (87-116)	1/8" BSPP
BV904-6B4TCDW-012M (N/O)	1/2"	5.1 (2.3)	6.9 (100)	385 (5584)	462 (6700)	-40 (-40)	149 (65)	13.1	14.7 (20)	6-8 (87-116)	1/8" BSPP

- * Lowest settled gas pressure for which the ball valve is designed. This is the minimum pressure that the product will hold constant bubble tight seal.
 - ** Settled pressure of a compressed gas at a uniform reference temperature of 15°C in a full pressure receptacle for which the valve is intended.
 - *** Minimum pressure applied to the valve during testing
 - ^ Maximum opening torque at maximum operating pressure.
 - ^^ Required actuator supply pressure to operate Air Torque Actuator.
- (N/C) Normally Closed - Valve is in closed position when no pressure applied to actuator.
(N/O) Normally Open - Valve is in open position when no pressure applied to actuator.



900 Series Air Torque Actuated TPED Ball Valves



NPT Dimensions Inch (mm)

Part Code	Size	A	B	C	Port Thread	Actuator
BV904-6N4TCDW-0124 (N/C) BV904-6N4TCDW-012M (N/O)	1/2"	6.8 (173)	6.1 (155)	3.74 (95)	1/2" NPT FEMALE	AT101
BV908-6N6TCDW-0148 (N/C) BV908-6N6TCDW-014P (N/O)	1"	9.9 (261)	9.5 (241)	4.7 (119)	1" NPT FEMALE	AT251

SAE Dimensions Inch (mm)

Part Code	Size	A	B	C	Port Thread	Actuator
BV904-6S4TCDW-0124 (N/C) BV904-6S4TCDW-012M (N/O)	1/2"	6.8 (173)	6.1 (155)	3.74 (95)	1/2" SAE FEMALE	AT101
BV908-6S6TCDW-0148 (N/C) BV908-6S6TCDW-014P (N/O)	1"	9.9 (261)	9.5 (241)	4.7 (119)	1" SAE FEMALE	AT251

BSPP Dimensions Inch (mm)

Part Code	Size	A	B	C	Port Thread	Actuator
BV904-6B4TCDW-0124 (N/C) BV904-6B4TCDW-012M (N/O)	1/2"	6.8 (173)	6.1 (155)	3.74 (95)	1/2" BSPP FEMALE	AT101

(N/C) Normally Closed - Valve is in closed position when no pressure applied to actuator.

(N/O) Normally Open - Valve is in open position when no pressure applied to actuator.

Other sizes and fittings available on request, contact Oasis for further information.