



# 900 Series TPED Cylinder Valves

## Applications

High Flow TPED cylinder valves for trailer use.

Suitable for Hydrogen, CNG, Biogas, Helium, Nitrogen and other gases on enquiry.



TH904-62B92T0-G000

## Materials

Item	Part	Material
1	Body & Cap	316 Stainless Steel
2	Ball	316 Stainless Steel
3	Stem	XM19 Stainless Steel
4	Seats	B16 PEEK
5	Thrust washer	Delrin

Item	Part	Material
6	Gland	Delrin
7	O-rings	Viton
8	Backup rings	Nitrile
9	Handle,	304 Stainless Steel

## Product Information

Type tested to ISO23826.

Complies with TPED 2010/35/EU

All products are manufactured to ISO 9001 standards.

SAE threads conform to SAE J1926.

25E (W28.8) threads conform to ISO11363-2

UNF18 (1 1/8-12 UNF) threads conform to ASME B1.1.

Other end cap and cylinder fitting options available on request.

## Features & Benefits

Available with 25E or UNF18 male cylinder connection.

Easy to service, kits readily available.

Quarter turn handle.

Anti blow-out stem.

Includes a live PRD port, PRD not included.

Manufactured from certified bar stock.

Lockout system available to prevent accidental operation of valve.

Ground storage (non-TPED) version available.



# 900 Series TPED Cylinder Valves

## SAE Product Specification

Part Code	Size	Mass lb (kg)	Lowest Operating Pressure bar (psi) *	Working Pressure (WP) bar (psi) **	Test Pressure (PT) bar (psi) ***	Min. Temp. °F (°C)	Max Temp. °F (°C)	Cycles Before Rekit <sup>^</sup>	Stem Open Torque ft-lb (Nm) <sup>^^</sup>	Cv	Service Kit
TH904-62B82T0-G000	1/2"	2.6 (1.2)	6.9 (100)	385 (5584)	462 (6700)	-40 (-40)	149 (65)	2000	14.7 (20)	6.7	TH904-SK1-S4
TH904-62B92T0-G000	1/2"	2.6 (1.2)	6.9 (100)	385 (5584)	462 (6700)	-40 (-40)	149 (65)	2000	14.7 (20)	6.7	TH904-SK2-S4

\* Lowest settled gas pressure for which the ball valve is designed. This is the minimum pressure that the product will hold constant bubble tight seal.

\*\* Settled pressure of a compressed gas at a uniform reference temperature of 15°C in a full pressure receptacle for which the valve is intended.

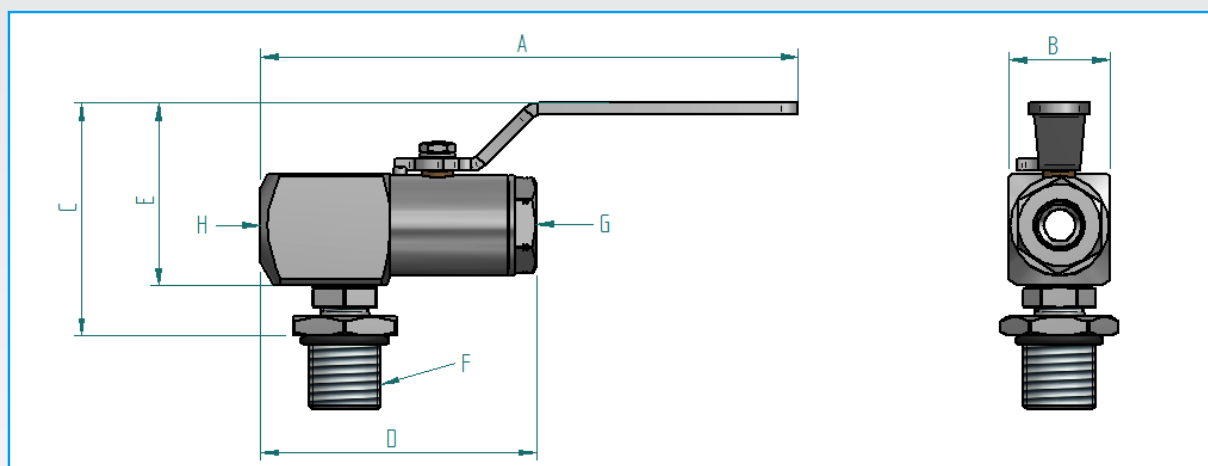
\*\*\* Minimum pressure applied to the valve during testing

<sup>^</sup> The temperature's and cycles stated depend on the system conditions and may not be achievable in all situations.

Contact Oasis for further information.

<sup>^^</sup> Maximum opening torque at maximum operating pressure.

## Dimensions:



## Dimensions - Inch (mm)

Part Code	A	B	C	D	E
TH904 (all)	8.5" (215mm)	1.6" (41mm)	3.7" (93mm)	4.3" (110mm)	2.9" (73mm)

## Connection Specifications

Part Code	F (CYLINDER) MALE THREAD	G (END CAP) FEMALE THREAD	H (PRD/LIVE PORT) FEMALE THREAD	PRD TYPE
TH904-62B82T0-G000	25E (W28.8)	3/4-16 SAE	9/16-18 SAE	CUSTOMER SUPPLIED
TH904-62B92T0-G000	UNF18 (1 1/8-12 UNF)	3/4-16 SAE	9/16-18 SAE	REMOTE PRD