

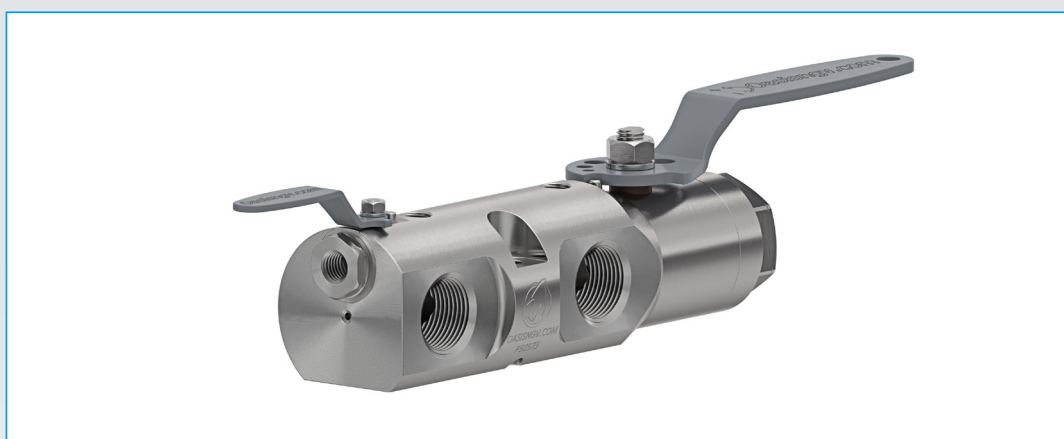


900 Series TPED Trailer Manifold

Applications

High flow TPED trailer load/unload manifold.

Suitable for Hydrogen, CNG, Biogas, Helium, Nitrogen and other gases on enquiry.



TM908-6S6TCDW-G000

Materials

Item	Part	Material
1	Body & Cap	316 Stainless Steel
2	Ball	316 Stainless Steel
3	Stem	316 Stainless Steel
4	Seats	B16 PEEK
5	Thrust washer	Delrin

Item	Part	Material
6	Gland	Delrin
7	O-rings	Viton
8	Backup rings	Nitrile
9	Handle	304 Stainless Steel

Product Information

Type tested to ISO 23826.

Complies with TPED 2010/35/EU

All products are manufactured to ISO 9001 standards.

SAE threads conform to SAE J1926.

Other threads available on request

Features & Benefits

Easy to service, kits readily available.

Anti blow-out stem.

Quarter-turn handle.

Incorporated vent valve.

Manufactured from certified bar stock.

Can be manufactured to your specifications, contact us for details.

Lockout system available (but not standard) to prevent accidental operation of valve.



900 Series TPED Trailer Manifold

Product Specification

Part Code	Size (DN) Inch (mm)	Handle Lock out	Mass lb (kg)	Lowest Operating Pressure bar (psi) *	Working Pressure (WP) bar (psi) **	Test Pressure (PT) bar (psi) ***	Min. Temp. °F (°C)	Max Temp. °F (°C)	Cycles Before Rekit*	Stem Open Torque ft-lb (Nm)**	Cv	Service Kit
TM908-6S6TCDW-G000	1 (25.4)	No	13.2 (6)	6.9 (100)	385 (5584)	462 (6700)	-40 (-40)	149 (65)	2000	33.2 (45)	15.8	TM908-SK1-S8

* Lowest settled gas pressure for which the ball valve is designed. This is the minimum pressure that the product will hold constant bubble tight seal.

** Settled pressure of a compressed gas at a uniform reference temperature of 15°C in a full pressure receptacle for which the valve is intended.

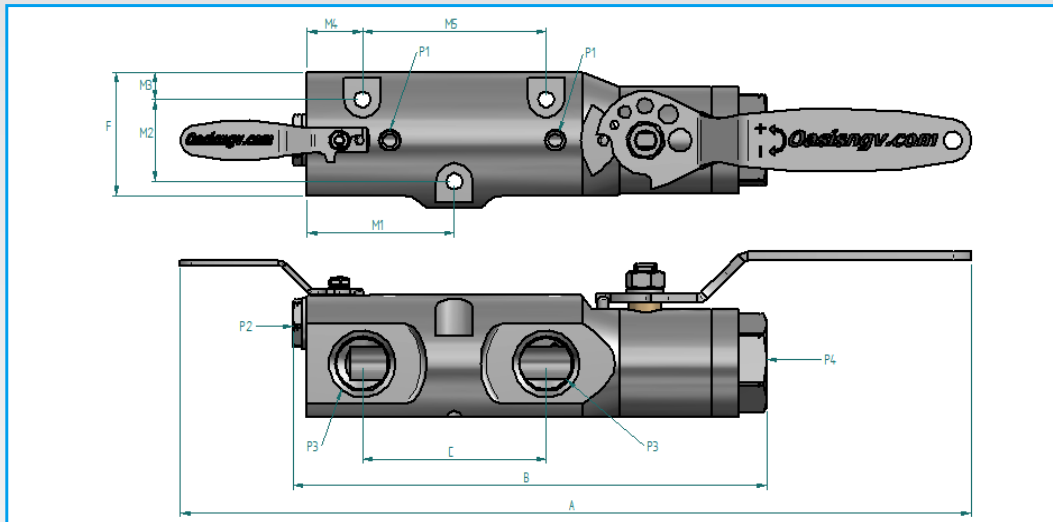
*** Minimum pressure applied to the valve during testing

^ The temperature's and cycles stated depend on the system conditions and may not be achievable in all situations.

Contact Oasis for further information.

^^ Maximum opening torque at maximum operating pressure.

Product Dimensions



Product Dimensions - Inch(mm)

Part Code	A	B	C	D	E	F	PORT P1	PORT P2	PORT P3	PORT P4
TM908-6S6TCDW-G000	16.94" (430)	10.15" (258)	3.93" (100)	3.6" (91.5)	3.4" (86)	2.95" (75)	1/4" NPT Female	1/4" NPT Female	1 5/16-12" SAE Female	1 5/16-12" SAE Female

Other connection configurations available on request, contact Oasis for further information.

Mounting Dimensions: Inch (mm)

Part Code	M1	M2	M3	M4	M5	Mounting hole diameter
TM908-6S6TCDW-G000	3.15" (80)	1.77" (45)	.59" (15)	1.18" (30)	3.94" (100)	.35" (9)

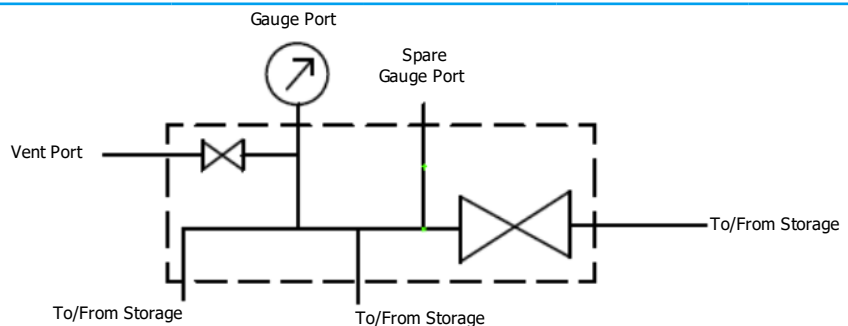
P&ID

P1 = Gauge Port/Spare Gauge Port

P2 = Vent Port

P3 = To/From Storage

P4 = To/From Storage



We reserve the right to modify product specifications without prior notice.